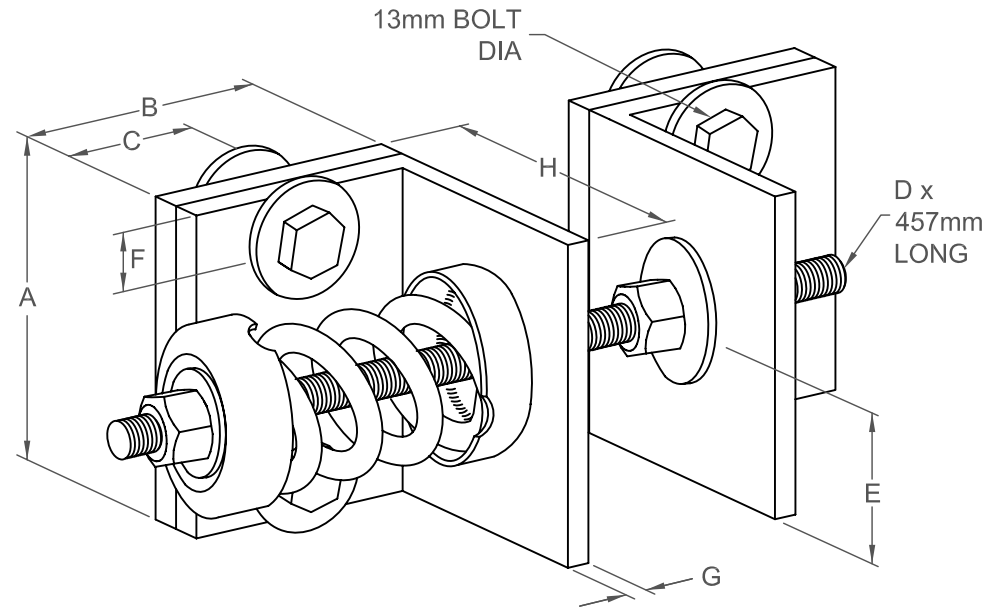


# HSR 51 mm DEFLECTION ISOLATOR

S-I UNITS (mm AND kg)

TYPE	A	B	C	D	E	F	G	H
2-35/220	89	76	32	13	44	13	6	83
2-100/1975	127	76	25	16	64	13	6	133

STANDARD RATINGS		SPRING COIL					
TYPE	SIZE	COLOR		FREE		RATED	
		OUTER	INNER	HT.	O.D.	LOAD	DEFL.
HSR	2-35	BLUE		105	44	16	51
HSR	2-70	GREEN		105	44	32	51
HSR	2-120	GRAY		105	44	54	51
HSR	2-220	BROWN		105	44	100	51
HSR	2-100	GRAY		155	89	45	51
HSR	2-135	BEIGE		155	89	61	51
HSR	2-185	BROWN		155	89	84	51
HSR	2-225	GRAY	BROWN	155	89	102	51
HSR	2-250	BLUE		155	89	113	51
HSR	2-375	BLUE	BROWN	155	89	170	51
HSR	2-500	GREEN		155	89	227	51
HSR	2-625	GREEN	BROWN	155	89	283	51
HSR	2-750	BLACK		155	89	340	51
HSR	2-875	BLACK	BROWN	155	89	397	51
HSR	2-995	ORANGE		155	89	451	51
HSR	2-1120	ORANGE	BROWN	155	89	508	51
HSR	2-1400	ORANGE	GREEN	155	89	635	51
HSR	2-1600	RED		155	89	726	51
HSR	2-1975	RED	GREEN	155	89	896	50



### SPECIFICATIONS:

- ISOLATORS ARE PROVIDED IN PAIRS
- ISOLATORS HAVE A MINIMUM K<sub>x</sub>/K<sub>y</sub> RATIO OF 1.0
- ISOLATORS HAVE A TYPICAL OVERLOAD CAPACITY OF 50%
- SPRING ELEMENTS ARE SAFE AT SOLID LOADING
- SPRING ELEMENTS ARE POWDER COATED
- ALL HARDWARE TO BE ZINC PLATED
- NEOPRENE NOISE CAP CONTAINS AN EMBEDDED STEEL CUP



KINETICS NOISE CONTROL, INC  
 6300 IRELAN PL,  
 DUBLIN, OH 43017 USA  
 Ph: 614 889-0480, Fax: 614 889-0540  
 www.kineticsnoise.com

Model:  
**HSR-2**  
**35/1975**

By: **JMJ**  
 Date: **03/14/03**  
 Revised: **07/21/05 / BB**

Drawing No:  
**S-01.21-21(M)**