

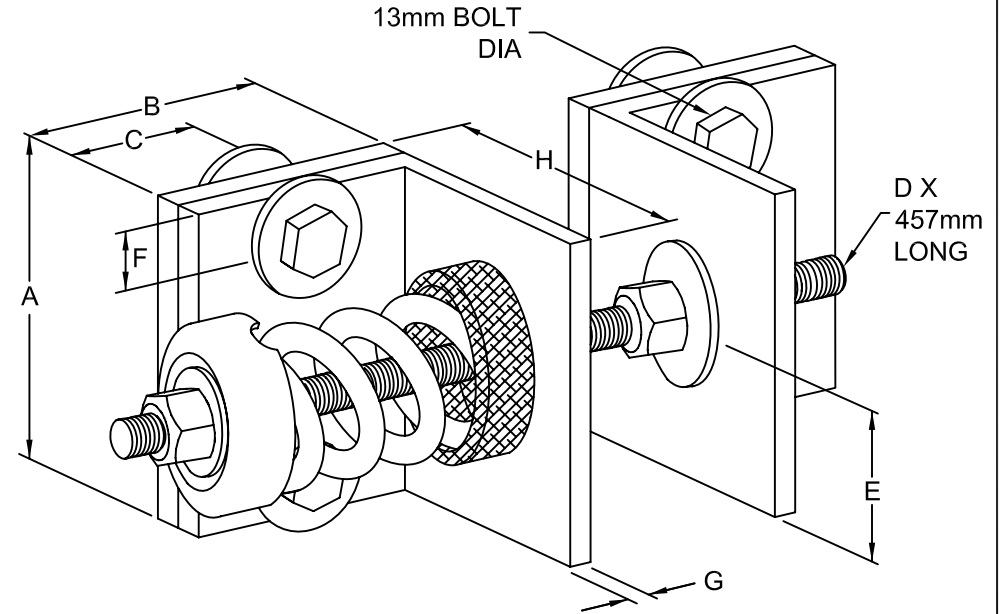
# HSR 25mm DEFLECTION ISOLATOR

TYPE	A	B	C	D	E	F	G	H
1-35/805	89	76	32	13	44	13	6	83
1-250/3500	127	76	25	16	64	13	6	83

S-I UNITS (MM AND KG)

## STANDARD RATINGS

TYPE	SIZE	COIL	COIL FREE HT	O.D.	COIL CAPACITY
HSR-1-35/805	1-35	BLUE	81	44	16
	1-70	GREEN	81	44	32
	1-120	GRAY	81	44	54
	1-220	BROWN	81	44	100
	1-370	ORANGE	81	44	168
	1-500	BEIGE	81	44	227
HSR-1-250/3500	1-600	CHROME	81	44	272
	1-250	BLUE	107	76	113
	1-450	GREEN	107	76	204
	1-625	BLACK	107	76	284
	1-800	GRAY	107	76	363
	1-1000	RED	107	76	454
	1-1250	BROWN	107	76	568
	1-1700	ORANGE	107	76	772
	1-2200	ORG/GRY	107	76	999
	1-2465	BLUE	107	76	1119
1-2865	BLU/GRY	107	76	1301	
1-3500	BLU/BRN	107	76	1589	



### SPECIFICATIONS:

- ISOLATORS ARE PROVIDED IN PAIRS
- ISOLATORS HAVE A MINIMUM K<sub>x</sub>/K<sub>y</sub> RATIO OF 1.0
- ISOLATORS HAVE A TYPICAL OVERLOAD CAPACITY OF 50%
- SPRING ELEMENTS ARE SAFE AT SOLID LOADING
- SPRING ELEMENTS ARE POWDER COATED
- ALL HARDWARE TO BE ZINC PLATED
- NEOPRENE NOISE CAP CONTAINS AN EMBEDDED STEEL CUP



KINETICS NOISE CONTROL, INC  
 6300 IRELAN PL,  
 DUBLIN, OH 43017 USA  
 Ph: 614 889-0480, Fax: 614 889-0540  
 www.kineticsnoise.com

Model:  
**HSR-1**  
**35/3500**

By: **JMJ**  
 Date: **03/13/03**  
 Revised: **/**

Drawing No:  
**S-01.21-11(M)**