

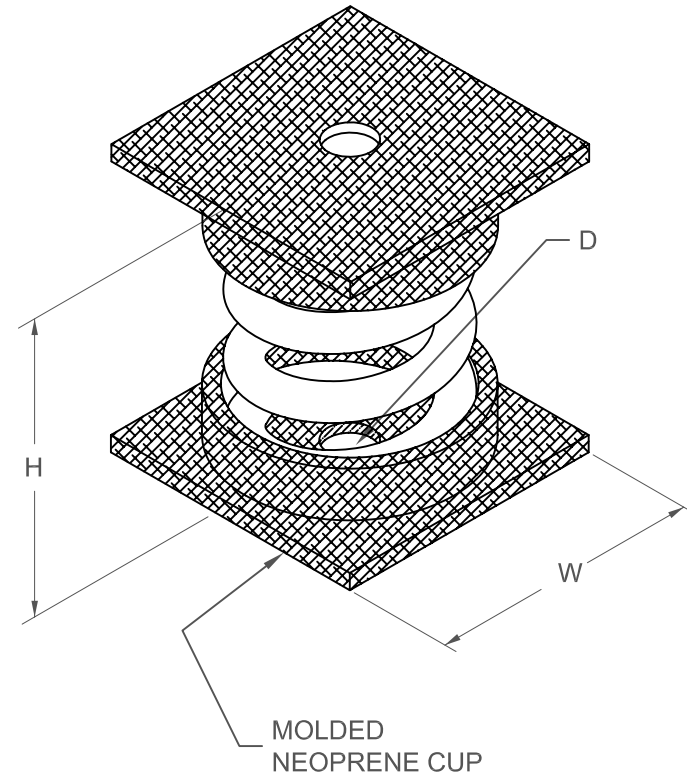
# SHU 2" DEFLECTION ISOLATOR

| TYPE       | H    | W    | D    |
|------------|------|------|------|
| 2-100/1975 | 6.50 | 4.38 | 1.00 |

I-P UNITS (INCHES AND POUNDS)

## STANDARD RATINGS

| TYPE | SIZE   | COIL    | COIL FREE HT | O.D. | COIL CAPACITY |
|------|--------|---------|--------------|------|---------------|
| SHU  | 2-100  | GRAY    | 5.75         | 3.50 | 100           |
| SHU  | 2-250  | BLUE    | 5.75         | 3.50 | 250           |
| SHU  | 2-500  | GREEN   | 5.75         | 3.50 | 500           |
| SHU  | 2-750  | BLACK   | 5.75         | 3.50 | 750           |
| SHU  | 2-995  | ORANGE  | 5.75         | 3.50 | 995           |
| SHU  | 2-1400 | ORG/GRN | 5.75         | 3.50 | 1400          |
| SHU  | 2-1600 | RED     | 5.75         | 3.50 | 1600          |
| SHU  | 2-1975 | RED/GRN | 5.75         | 3.50 | 1975          |



### SPECIFICATIONS:

- SPRING ELEMENTS ARE POWDER COATED
- ISOLATORS HAVE A MINIMUM Kx/Ky RATIO OF 1.0
- ISOLATORS HAVE A TYPICAL OVERLOAD CAPACITY OF 50%
- SPRING ELEMENTS ARE SAFE AT SOLID LOADING
- NEOPRENE NOISE CAP CONTAINS AN EMBEDDED STEEL CUP



KINETICS NOISE CONTROL, INC  
 6300 IRELAN PL,  
 DUBLIN, OH 43017 USA  
 Ph: 614 889-0480, Fax: 614 889-0540  
[www.kineticsnoise.com](http://www.kineticsnoise.com)

Model:  
**SHU**  
**2-100/1975**

By: **JMJ**  
 Date: **02/26/03**  
 Revised: **/**

Drawing No:  
**S-01.21-61**