

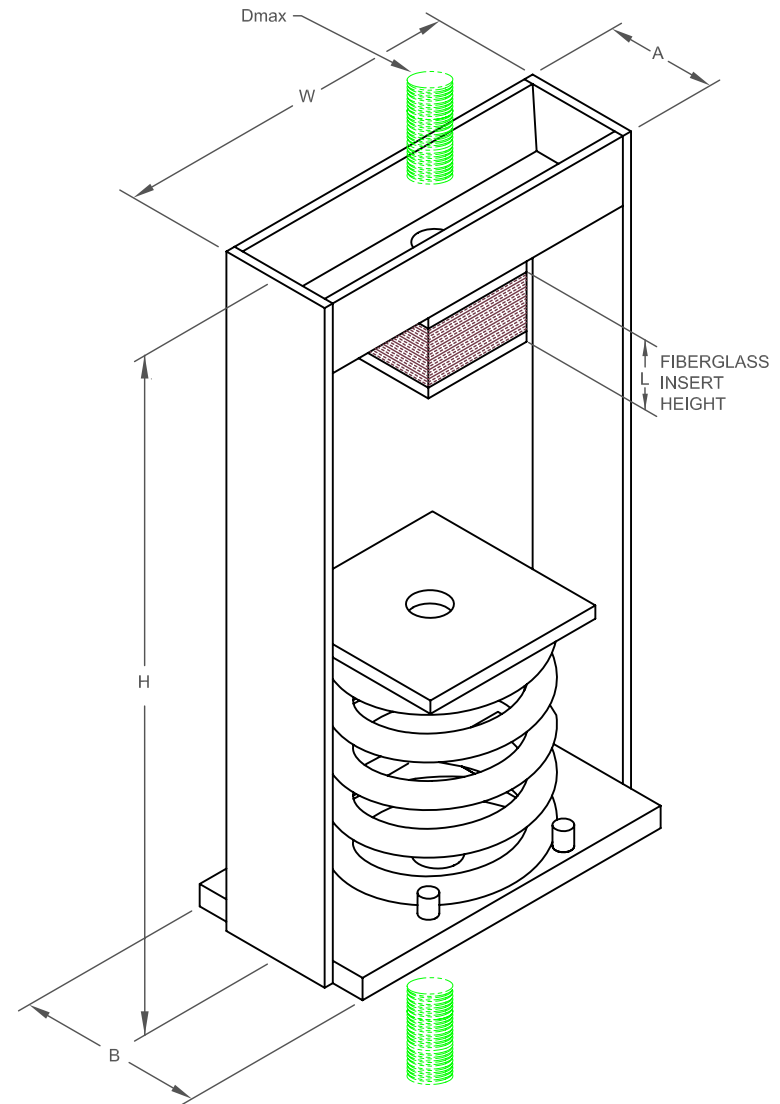
SFH 102mm DEFLECTION ISOLATION HANGER

TYPE	L	H	W	A	B	Dmax
4-2250/3850	81	470	343	152	203	29

S-I UNITS (MM AND KG)

STANDARD RATINGS

TYPE	SIZE	COIL	COIL FREE HT	O.D.	RATED LOAD
SFH	4-2250	BEIGE	292	203	1023
SFH	4-2500	BGE/BLU	292	203	1135
SFH	4-2750	BGE/GRN	292	203	1249
SFH	4-3000	BGE/BLK	292	203	1362
SFH	4-3250	BGE/RED	292	203	1476
SFH	4-3500	BGE/BRN	292	203	1589
SFH	4-3850	BGE/ORG	292	203	1748



SPECIFICATIONS:

- SPRING ELEMENTS AND BRACKETS ARE POWDER COATED
- LOAD PLATES ARE BRIGHT ZINC PLATED
- ISOLATION HANGERS HAVE A TYPICAL OVERLOAD OF 50%
- ISOLATION HANGERS HAVE A MINIMUM K_x/K_y RATIO OF 1.5
- SPRING ELEMENTS ARE SAFE AT SOLID LOADING
- HANGER BRACKETS WILL CARRY (5) TIMES OVERLOAD WITHOUT FAILURE
- HANGER BRACKETS WILL ALLOW 30° ROD MISALIGNMENT WITHOUT SHORT CIRCUITING



KINETICS NOISE CONTROL, INC
6300 IRELAN PL,
DUBLIN, OH 43017 USA
Ph: 614 889-0480, Fax: 614 889-0540
www.kineticsnoise.com

Model:
SFH
4-2250/3850

By: JMJ
Date: 10/28/03
Revised: 08/23/04 / BB

Drawing No:
S-03.35-42(M)