

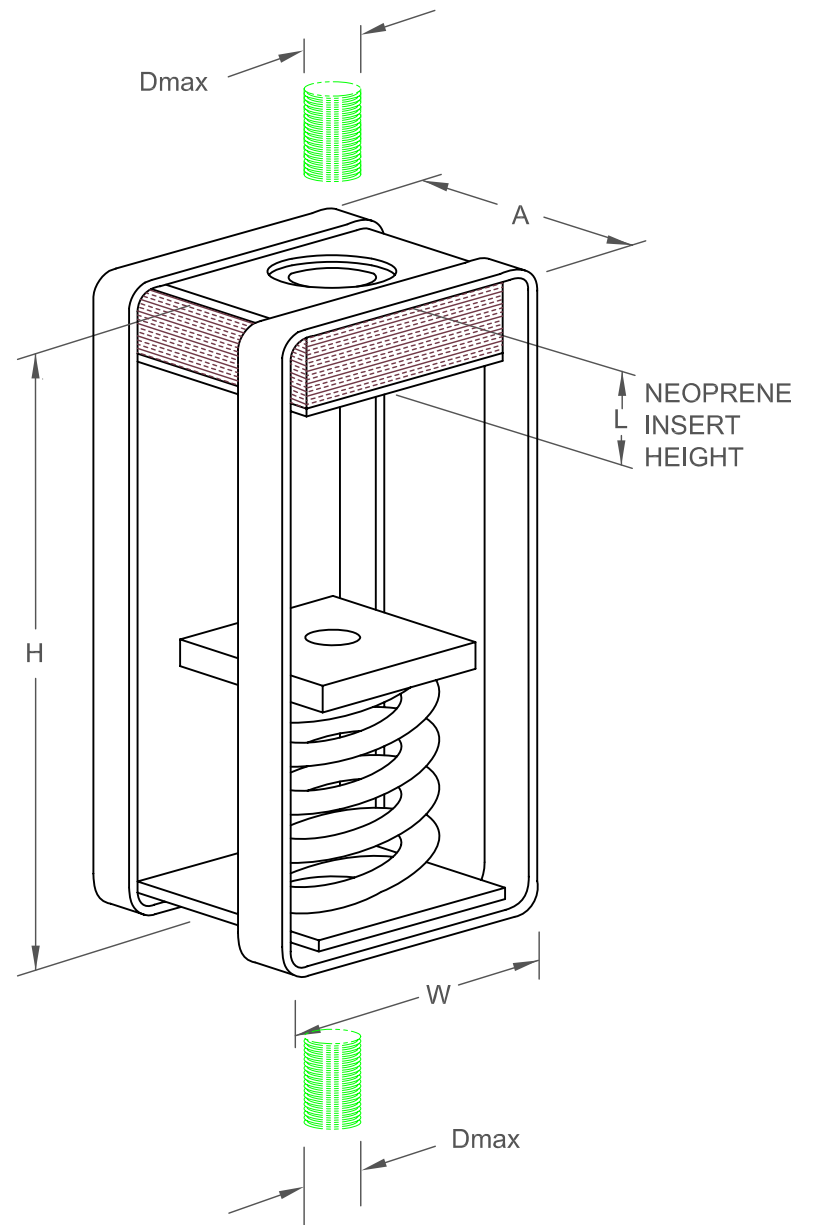
# SFH 51mm DEFLECTION ISOLATION HANGER

TYPE	L	H	W	A	Dmax
2-2750/3250	32	305	152	152	25

S-I UNITS (MM AND KG)

## STANDARD RATINGS

TYPE	SIZE	COIL	COIL FREE HT	O.D.	RATED LOAD
SFH	2-2750	BLU/BLU	178	127	1250
SFH	2-3025	BLU/GRN	178	127	1375
SFH	2-3250	BLU/BLK	178	127	1477



## SPECIFICATIONS:

- SPRING ELEMENTS AND BRACKETS ARE POWDER COATED
- LOAD PLATES ARE BRIGHT ZINC PLATED
- ISOLATION HANGERS HAVE A TYPICAL OVERLOAD OF 50%
- ISOLATION HANGERS HAVE A MINIMUM  $K_x/K_y$  RATIO OF 1.0
- SPRING ELEMENTS ARE SAFE AT SOLID LOADING
- HANGER BRACKETS WILL CARRY (5) TIMES OVERLOAD WITHOUT FAILURE
- HANGER BRACKETS WILL ALLOW 30° ROD MISALIGNMENT WITHOUT SHORT CIRCUITING



KINETICS NOISE CONTROL, INC  
6300 IRELAN PL,  
DUBLIN, OH 43017 USA  
Ph: 614 889-0480, Fax: 614 889-0540  
www.kineticsnoise.com

Model:  
SFH  
2-2750/3250

By: JMJ  
Date: 10/28/03  
Revised: 08/23/04 / BB

Drawing No:  
S-03.35-24(M)