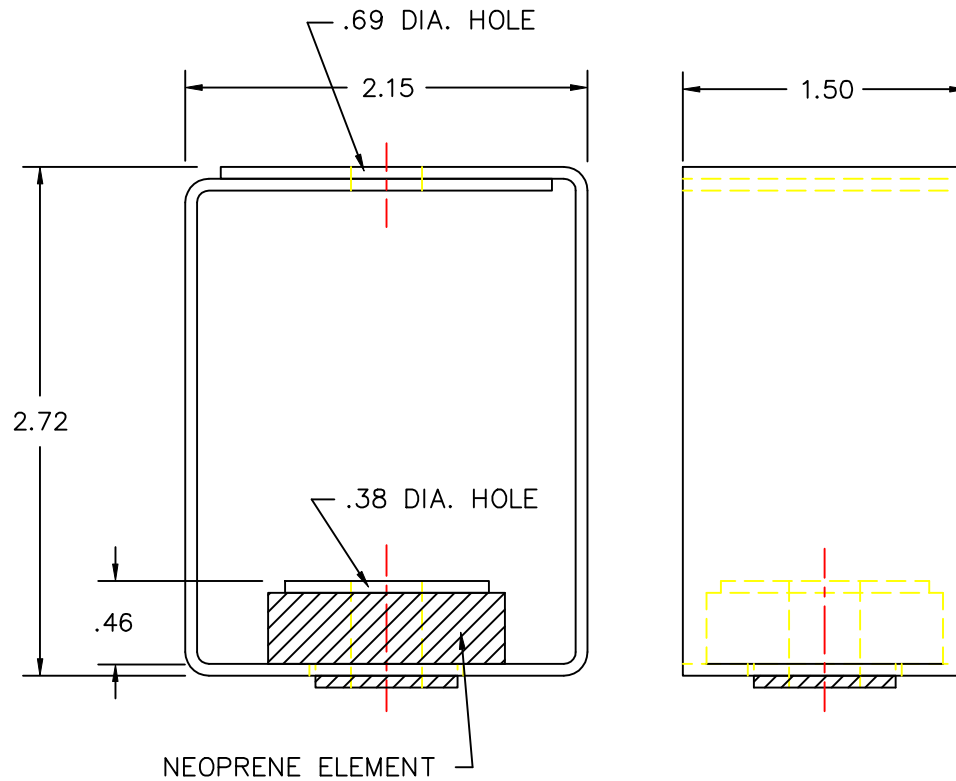


HANGER MODEL	RATED LOAD POUNDS	ISOLATOR COLOR	RATED DEFL. INCHES
RH-75A	75	BLACK	.20
RH-125A	125	BLACK	.20



RH-A ISOLATION HANGERS HAVE A TYPICAL OVERLOAD CAPACITY OF 50%
 RH-A HANGER BRACKETS WILL CARRY (5) TIMES OVERLOAD WITHOUT FAILURE
 RH-A HANGER BRACKETS WILL ALLOW 30° ROD MISALIGNMENT
 WITHOUT SHORT CIRCUITING
 RH-A HANGER BRACKETS AND LOAD PLATES ARE BRIGHT ZINC PLATED.



TITLE
 MODEL RH-A HANGER

LAST DATE
 REVISED
 4/24/96

DRAWN BY
 DW

DRAWING NO. S-DWG
 S-03.39-1A