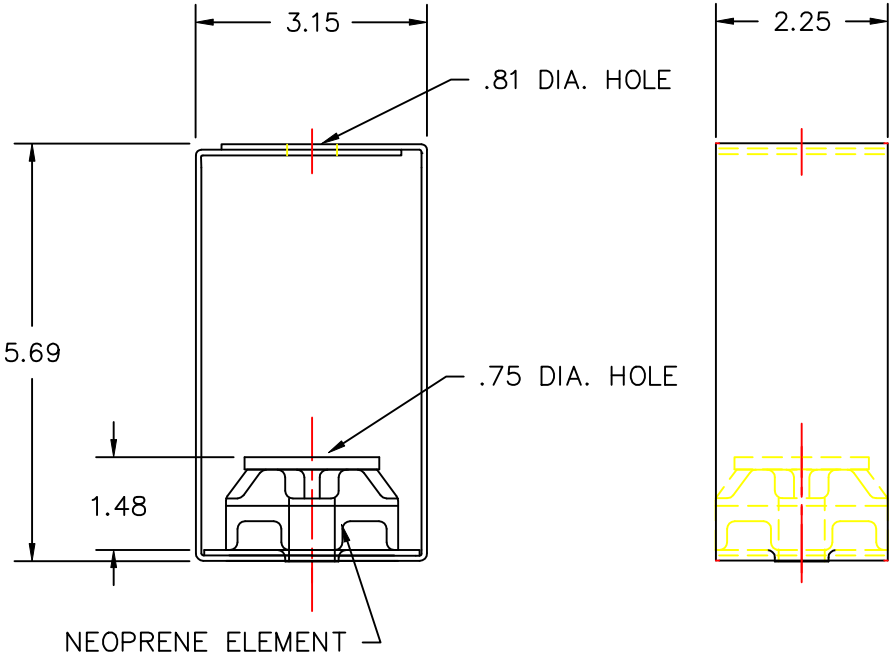


HANGER MODEL	RATED LOAD POUNDS	ISOLATOR COLOR	RATED DEFL. INCHES
RH-125B	125	Black	.35
RH-175B	175	RED	.35
RH-300B	300	GREEN	.53
RH-450B	450	WHITE	.55



RH-B ISOLATION HANGERS HAVE A TYPICAL OVERLOAD CAPACITY OF 50%
 RH-B HANGER BRACKETS WILL CARRY (5) TIMES OVERLOAD WITHOUT FAILURE
 RH-B HANGER BRACKETS WILL ALLOW 30° ROD MISALIGNMENT WITHOUT SHORT CIRCUITING
 RH-B HANGER BRACKETS AND LOAD PLATES ARE BRIGHT ZINC PLATED.



TITLE
MODEL RH-B HANGER

LAST DATE REVISIED
10/14/98

REVISED BY
DW

DRAWING NO. **S-03-39**
S-03.39-1B