

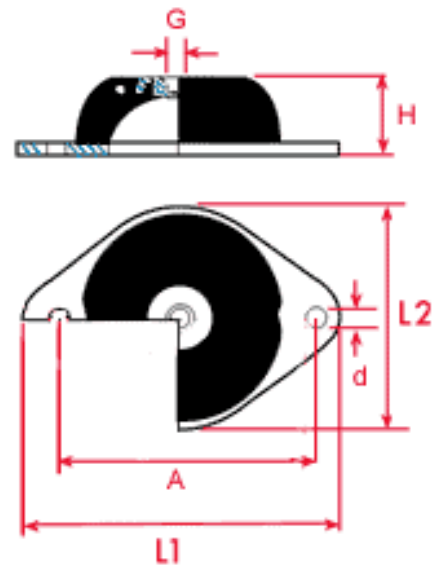
Northern Office:  
4b Eagle Park  
Eagle Park Drive  
Warrington. WA2 8JA  
t: 01925 582899  
f: 01925 582898

Southern Office:  
Dugard House  
Peartree Road  
Colchester. CO3 0UL  
t: 01206 216690  
f: 01206 577954

e: [info@cmsantivibration.co.uk](mailto:info@cmsantivibration.co.uk)  
[www.cmsantivibration.co.uk](http://www.cmsantivibration.co.uk)

## CMS ISODome

### Anti Vibration mountings



Part No	H	L1	L2	G	A	d - dia
CMS 6420	20	64	43	M6	50	7
CMS 8525	25	88	59	M8	66	8
CMS 8525M10	25	88	59	M10	66	8
CMS 10027	27	100	70	M8	76	7
CMS 10027/1	27	100	70	M8	76	10
CMS 11435	35	115	76	M10	92	10
CMS 13640	40	136	96	M10	110	11.5
CMS 15145	45	151	101	M10	124	11.5
CMS 15063	63	150	150	M12	120	14.5
CMS 20085	85	200	200	M16	160*160	14.5
CMS 310160	160	310	310	M24	250*250	18

Northern Office:  
4b Eagle Park  
Eagle Park Drive  
Warrington. WA2 8JA  
t: 01925 582899  
f: 01925 582898

Southern Office:  
Dugard House  
Peartree Road  
Colchester. CO3 0UL  
t: 01206 216690  
f: 01206 577954

e: [info@cmsantivibration.co.uk](mailto:info@cmsantivibration.co.uk)  
[www.cmsantivibration.co.uk](http://www.cmsantivibration.co.uk)



A MEMBER OF THE CMS GROUP

Part No	45 IRHD		60 IRHD	
	MAX kgs	MAX mm	MAX kgs	MAX mm
CMS 6420	3.5	3	9	3.5
CMS 8525	20	4	40	4.5
CMS 8525M10	20	4	40	4.5
CMS 10027	30	4.5	55	5.0
CMS 10027/1	30	4.5	55	5.0
CMS 11435	40	6.0	65	8.5
CMS 13640	70	8.5	130	11
CMS 15145	130	10.0	220	10.0
CMS 15063	280	16.0	500	16
CMS 20085	380	18	750	18
CMS 310160	1400	45	2500	50

**Features:**

Achieves high isolation values (both active and passive) of low frequency vibration.  
Attenuates shock loadings due to its deflection capacity.

**Applications:**

Fans and pumps.  
Stationary generator sets.  
Vibrating screens.  
Bulk bin load and discharge units.  
Measuring equipment.  
Computer and electronic equipment.  
Packing and transit case mountings.