

FMS 1" SPRING COIL ASSEMBLY

NOTE: FMS RESTRAINT SHOWN IS NOT TO SCALE. ACTUAL SIZE AND SHAPE MAY VARY. SEE CORRESPONDING FMS RESTRAINT SUBMITTAL FOR ACTUAL DIMENSIONS.

TYPE	W	T	H	Z
1-250/3500	3.88	0.38	TABLE 2	TABLE 2

MODEL	RATED LOAD (LBS)	RATED DEFLECTION (IN)	EFFECTIVE SPRING RATE (LB/IN)	SPRING COLOR OUTER/INNER
1-250	250	1.79	139.7	BLUE
1-450	450	1.54	292.2	GREEN
1-625	625	1.44	434.0	BLACK
1-800	800	1.31	610.7	GRAY
1-1000	1000	1.15	869.6	RED
1-1250	1200	1.09	1146.8	BROWN
1-1400	1400	1.10	1269.57	RED/GRAY
1-1700	1700	0.95	1789.5	ORANGE
1-2000	2000	1.05	1904.6	RED/BROWN
1-2100	2100	0.95	2189.5	ORANGE/GRAY
1-2465	2465	1.00	2465.0	BLUE
1-2865	2865	1.00	2865.0	BLUE/GRAY
1-3500	3500	1.00	3500.0	BLUE/BROWN

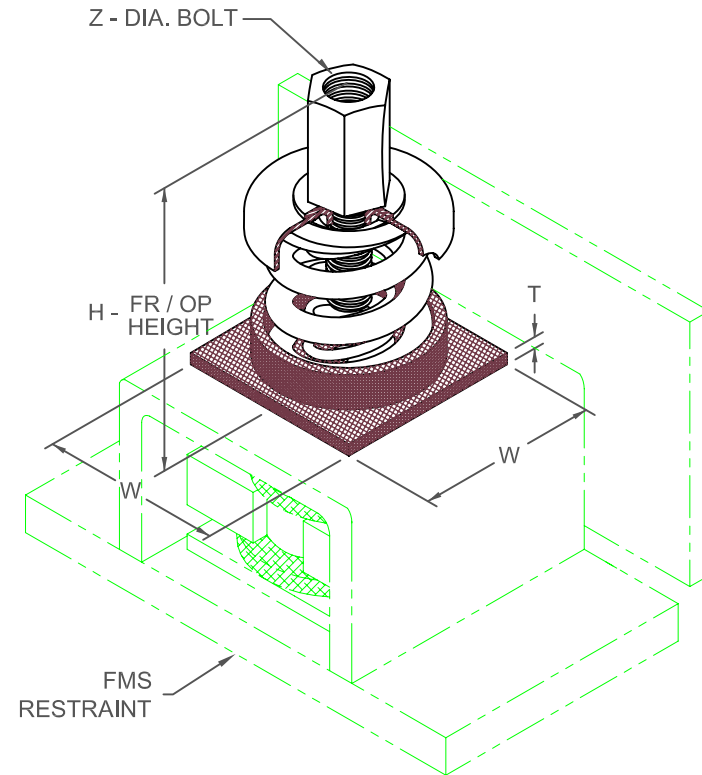


TABLE 2

TYPE	H	Z
FMSB	6.57	0.38
FMSC	7.14	0.75
FMSD	7.14	0.75
FMSE	7.14	0.75

SPECIFICATIONS:

- FREE STANDING COIL SPRING ISOLATOR
- POWDER COATED SPRING ELEMENT
- OTHER METALLIC COMPONENTS BRIGHT ZINC PLATED
- MINIMUM OVERLOAD OF 50%.
- MINIMUM Kx/Ky RATIO OF 1.0.
- ALL ELEMENTS SAFE AT SOLID LOADING.
- ALL THREADED MEMBERS ARE AMERICAN STANDARD



KINETICS NOISE CONTROL, INC
 6300 IRELAN PL,
 DUBLIN, OH 43017 USA
 Ph: 614 889-0480, Fax: 614 889-0540
 www.kineticsnoise.com

Model:
FMS-1-250/3500

By: **JMJ**
 Date: **10/21/03**
 Revised: **/**

Drawing No:
S-01.40-12