

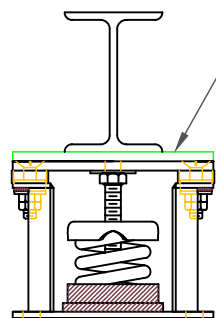
# FLSS 4" DEFLECTION SEISMIC ISOLATOR IP UNITS (INCHES AND POUNDS)

A2, B2, L2, T2, D2 DIMENSIONS REFER TO OPTIONAL BASE-PLATE USED TO INCREASE RATING WHEN ATTACHED TO CONCRETE

TYPE	L	W	T	A	B	D	E	F	d	H
4-2250/5800	16.25	8.00	0.50	1.00	1.00	0.69	5.50	5.50	0.69	15.00

STANDARD RATINGS		SPRING COIL					
TYPE	SIZE	COLOR		FREE HT.	O.D.	RATED	
		OUTER	INNER			LOAD	DEFL.
FLSS	4-2250	BEIGE		11.50	8.00	2250	4.00
FLSS	4-2500	BEIGE	BLUE	11.50	8.00	2500	4.00
FLSS	4-2750	BEIGE	GREEN	11.50	8.00	2750	4.00
FLSS	4-3000	BEIGE	BLACK	11.50	8.00	3000	4.00
FLSS	4-3250	BEIGE	RED	11.50	8.00	3250	4.00
FLSS	4-3500	BEIGE	BROWN	11.50	8.00	3500	4.00
FLSS	4-3850	BEIGE	ORANGE	11.50	8.00	3850	4.00
FLSS	4-4200	CHROME		11.50	8.00	4200	4.00
FLSS	4-4450	CHROME	BLUE	11.50	8.00	4450	4.00
FLSS	4-4700	CHROME	GREEN	11.50	8.00	4700	4.00
FLSS	4-4950	CHROME	BLACK	11.50	8.00	4950	4.00
FLSS	4-5200	CHROME	RED	11.50	8.00	5200	4.00
FLSS	4-5450	CHROME	BROWN	11.50	8.00	5450	4.00
FLSS	4-5800	CHROME	ORANGE	11.50	8.00	5800	4.00

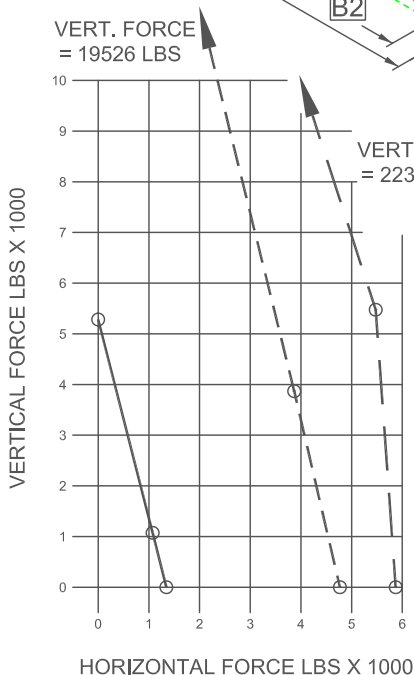
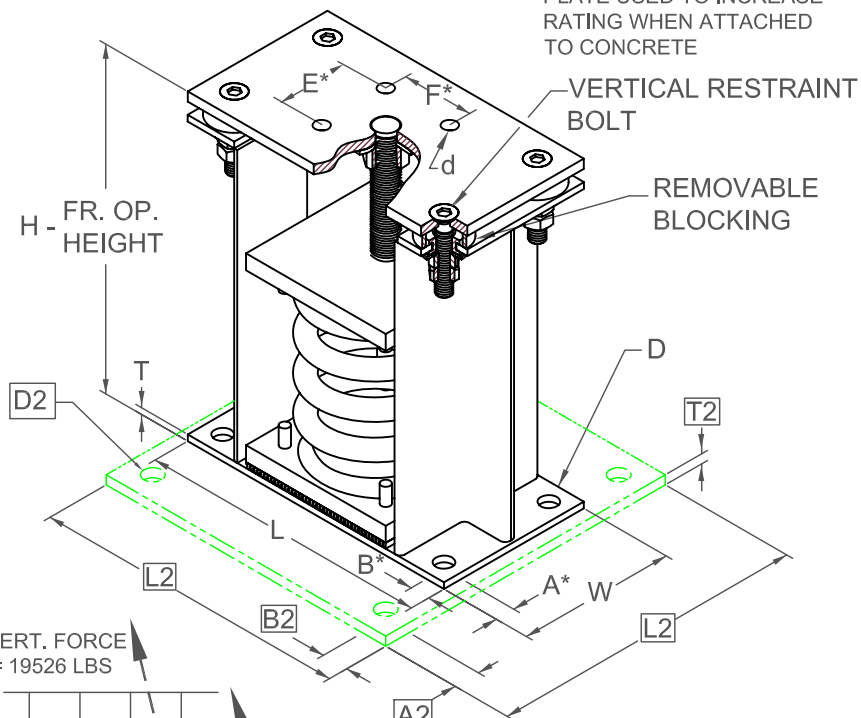
4-2250/5800 REQUIRES 0.62 DIA. x 4.00 MIN. EMBED ANCHORS IN CONCRETE (ALLOWABLE LOADS BASED ON 3000 PSI MIN CONCRETE)  
4-2250/5800 ANCHOR BOLT TORQUE - 75 FT-LB, PULL TEST - 2670 LB



IF EQUIP SUPPORT STEEL IS 90° TO THE LONG ISOLATOR AXIS, AN ADD'L PLATE EQUAL IN THICKNESS TO THE TOP PLATE IS REQUIRED

### SPECIFICATIONS:

- VERTICALLY AND Laterally RESTRAINED SPRING ISOLATOR WITH CONSTANT FREE AND OPERATING HEIGHT AND REPLACEABLE NEOPRENE SNUBBING ELEMENTS.
- MINIMUM COIL OVERLOAD OF 50%.
- MINIMUM Kx/Ky RATIO OF 1.0.
- ALL ELEMENTS SAFE AT SOLID LOADING.
- POWDER COATED COILS AND HOT DIPPED GALVANIZED BRACKET.
- HOUSINGS MAY BE USED FOR BLOCKING DURING EQUIPMENT ERECTION.



\*ALL MOUNTING BOLT PATTERNS SYMMETRICAL ABOUT ISOLATOR CENTER-LINE

WELDED TO STEEL ---  
THROUGH BOLTED - - -  
ANCHORED TO CONCRETE ———

Computed horiz and vert seismic load combinations must fall within the restraint capacity envelope. Contact KNC for bolted to steel data.



KINETICS NOISE CONTROL, INC  
6300 IRELAN PL,  
DUBLIN, OH 43017 USA  
Ph: 614 889-0480, Fax: 614 889-0540  
www.kineticsnoise.com

Model:  
**FLSS-4-  
2250 / 5800**

By: **JMJ**  
Date: **07/15/02**  
Revised: **05/04/06 / BB**

Drawing No:  
**S-01.22-42S**