

FLSS 25 mm DEFLECTION SEISMIC ISOLATOR

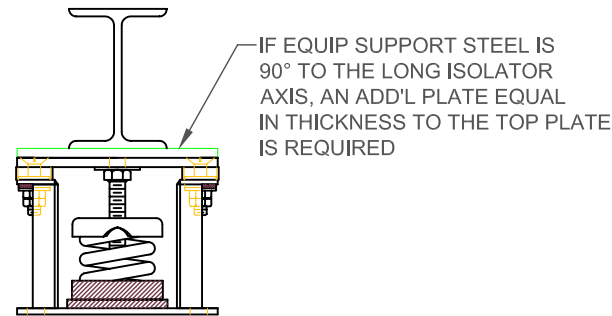
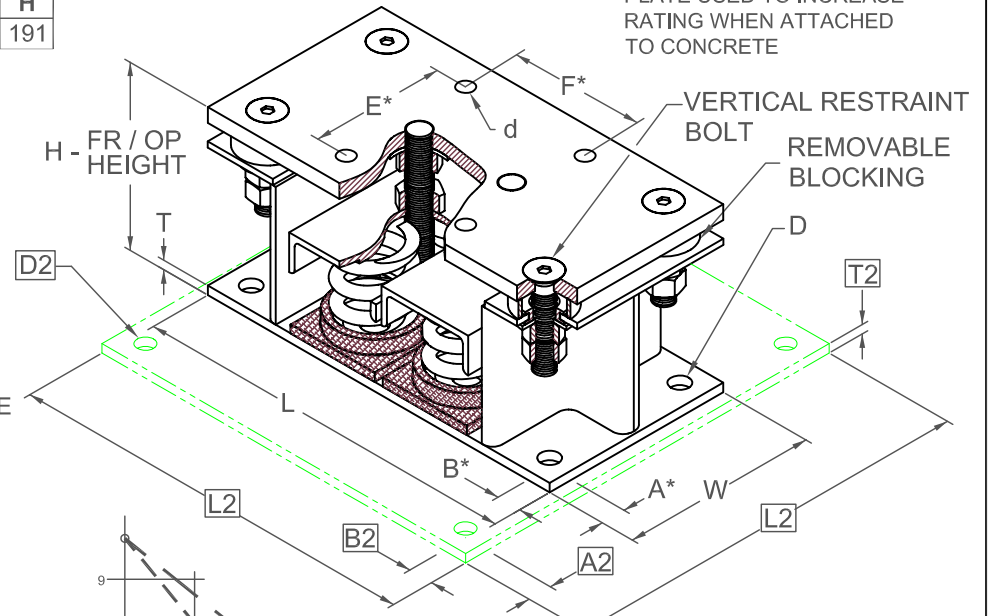
S-I UNITS (mm AND kg)

TYPE	L	W	T	A	B	D	E	F	d	H
1-5000/14000	400	203	13	25	25	21	140	140	17	191

A2, B2, L2, T2, D2 DIMENSIONS REFER TO OPTIONAL BASE-PLATE USED TO INCREASE RATING WHEN ATTACHED TO CONCRETE

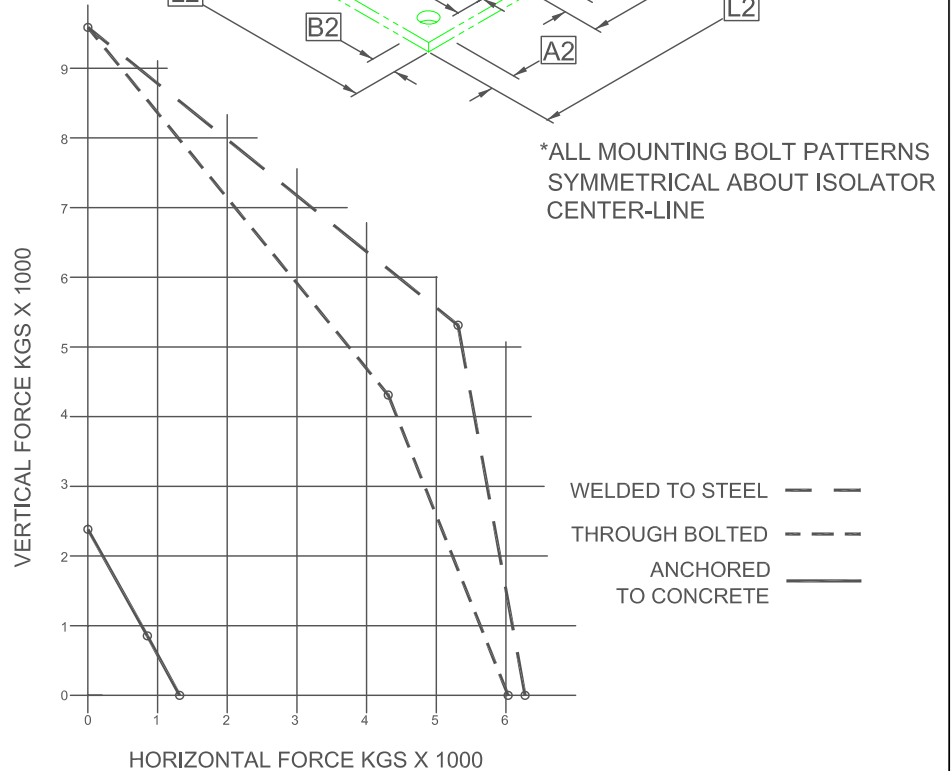
STANDARD RATINGS		SPRING COIL					
TYPE	SIZE	COLOR		FREE		RATED	
		OUTER	INNER	HT.	O.D.	LOAD	DEFL.
FLSS	1-5000	BROWN		107	76	2268	28
FLSS	1-6800	ORANGE		107	76	3084	24
FLSS	1-8800	ORANGE	GRAY	107	76	3992	26
FLSS	1-9860	BLUE		107	76	4472	25
FLSS	1-11460	BLUE	GRAY	107	76	5198	25
FLSS	1-14000	BLUE	BROWN	107	76	6350	25

1-5000/14000 REQUIRES 019 DIA. x 119 MIN. EMBED ANCHORS IN CONCRETE (ALLOWABLE LOADS BASED ON 21 MPa MIN CONCRETE)
 1-5000/14000 ANCHOR BOLT TORQUE - 203 N-M, PULL TEST - 1644 kg



SPECIFICATIONS:

- VERTICALLY AND Laterally RESTRAINED SPRING ISOLATOR WITH CONSTANT FREE AND OPERATING HEIGHT AND REPLACEABLE NEOPRENE SNUBBING ELEMENTS.
- MINIMUM COIL OVERLOAD OF 50%.
- MINIMUM K_x/K_y RATIO OF 1.0.
- ALL ELEMENTS SAFE AT SOLID LOADING.
- POWDER COATED COILS AND HOT DIPPED GALVANIZED BRACKET.
- HOUSINGS MAY BE USED FOR BLOCKING DURING EQUIPMENT ERECTION.



Computed horiz and vert seismic load combinations must fall within the restraint capacity envelope. Contact KNC for bolted to steel data.



KINETICS NOISE CONTROL, INC
 6300 IRELAN PL,
 DUBLIN, OH 43017 USA
 Ph: 614 889-0480, Fax: 614 889-0540
 www.kineticsnoise.com

Model:
**FLSS-1-
 5000 / 14000**

By: **JMJ**
 Date: **07/09/02**
 Revised: **05/04/06 / PWM**

Drawing No:
**S-01.22-13S
 METRIC**