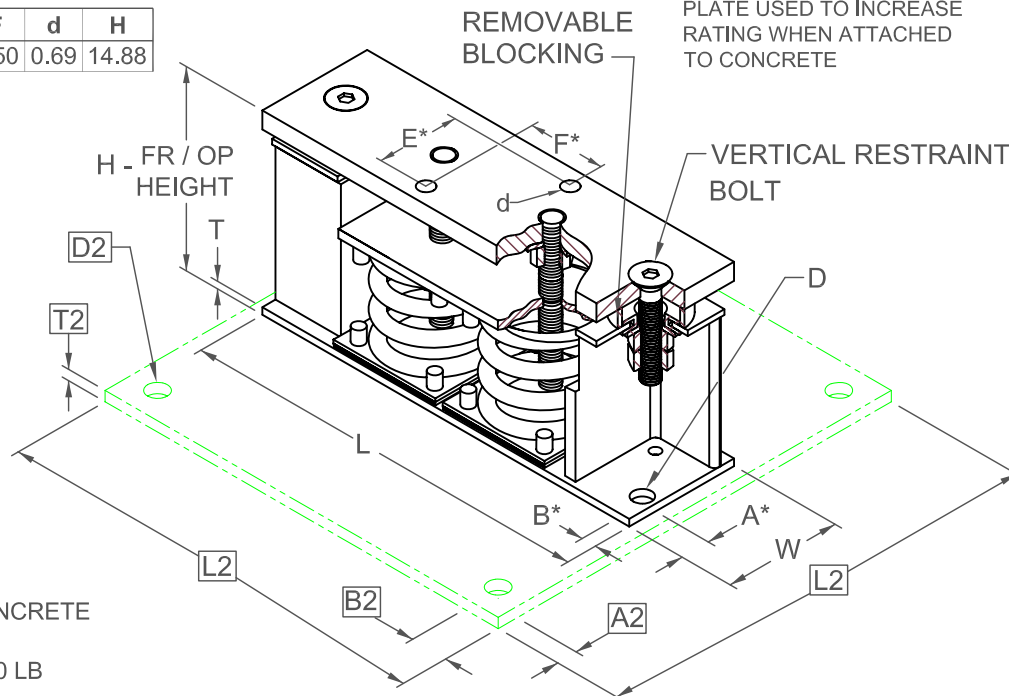


FLS 4" DEFLECTION ISOLATOR IP UNITS (INCHES AND POUNDS)

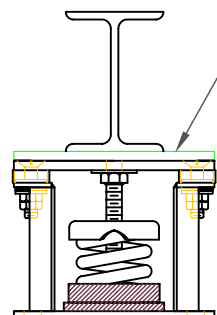
TYPE	L	W	T	A	B	D	E	F	d	H
4-5500/11600	25.50	8.00	0.38	1.13	1.75	0.81	5.50	5.50	0.69	14.88

A2, B2, L2, T2, D2 DIMENSIONS REFER TO OPTIONAL BASE-PLATE USED TO INCREASE RATING WHEN ATTACHED TO CONCRETE

STANDARD RATINGS		SPRING COIL					
TYPE	SIZE	COLOR		FREE		RATED	
		OUTER	INNER	HT.	O.D.	LOAD	DEFL.
FLS	4-5500	BEIGE	GREEN	11.50	8.00	5500	4.00
FLS	4-6000	BEIGE	BLACK	11.50	8.00	6000	4.00
FLS	4-6500	BEIGE	RED	11.50	8.00	6500	4.00
FLS	4-7000	BEIGE	BROWN	11.50	8.00	7000	4.00
FLS	4-7700	BEIGE	ORANGE	11.50	8.00	7700	4.00
FLS	4-8400	CHROME		11.50	8.00	8400	4.00
FLS	4-8900	CHROME	BLUE	11.50	8.00	8900	4.00
FLS	4-9400	CHROME	GREEN	11.50	8.00	9400	4.00
FLS	4-9900	CHROME	BLACK	11.50	8.00	9900	4.00
FLS	4-10400	CHROME	RED	11.50	8.00	10400	4.00
FLS	4-10900	CHROME	BROWN	11.50	8.00	10900	4.00
FLS	4-11600	CHROME	ORANGE	11.50	8.00	11600	4.00



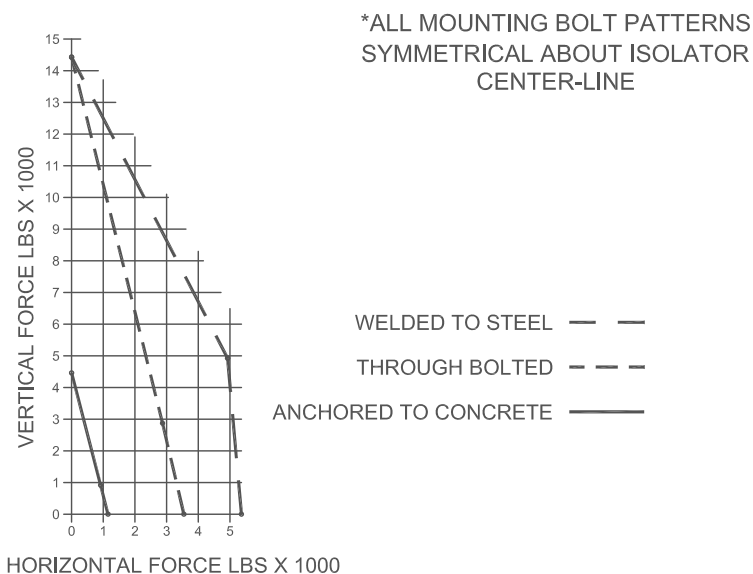
4-5500/11600 REQUIRES 0.62 DIA. x 4.00 MIN. EMBED ANCHORS IN CONCRETE
(ALLOWABLE LOADS BASED ON 3000 PSI MIN CONCRETE)
4-5500/11600 ANCHOR BOLT TORQUE - 75 FT-LB, PULL TEST - 2670 LB



IF EQUIP SUPPORT STEEL IS 90° TO THE LONG ISOLATOR AXIS, AN ADD'L PLATE EQUAL IN THICKNESS TO THE TOP PLATE IS REQUIRED

SPECIFICATIONS:

- VERTICALLY AND Laterally RESTRAINED SPRING ISOLATOR WITH CONSTANT FREE AND OPERATING HEIGHT AND REPLACEABLE NEOPRENE SNUBBING ELEMENTS.
- MINIMUM COIL OVERLOAD OF 50%.
- MINIMUM K_x/K_y RATIO OF 1.0.
- ALL ELEMENTS SAFE AT SOLID LOADING.
- POWDER COATED COILS AND HOT DIPPED GALVANIZED BRACKET.
- HOUSINGS MAY BE USED FOR BLOCKING DURING EQUIPMENT ERECTION.



Computed horiz and vert seismic load combinations must fall within the restraint capacity envelope. Contact KNC for bolted to steel data.



KINETICS NOISE CONTROL, INC
6300 IRELAN PL,
DUBLIN, OH 43017 USA
Ph: 614 889-0480, Fax: 614 889-0540
www.kineticsnoise.com

Model:
**FLS-4-
5500 /11600**

By: **JMJ**
Date: **07/09/02**
Revised: **5/8/06 / PWM**

Drawing No:
S-01.22-43