

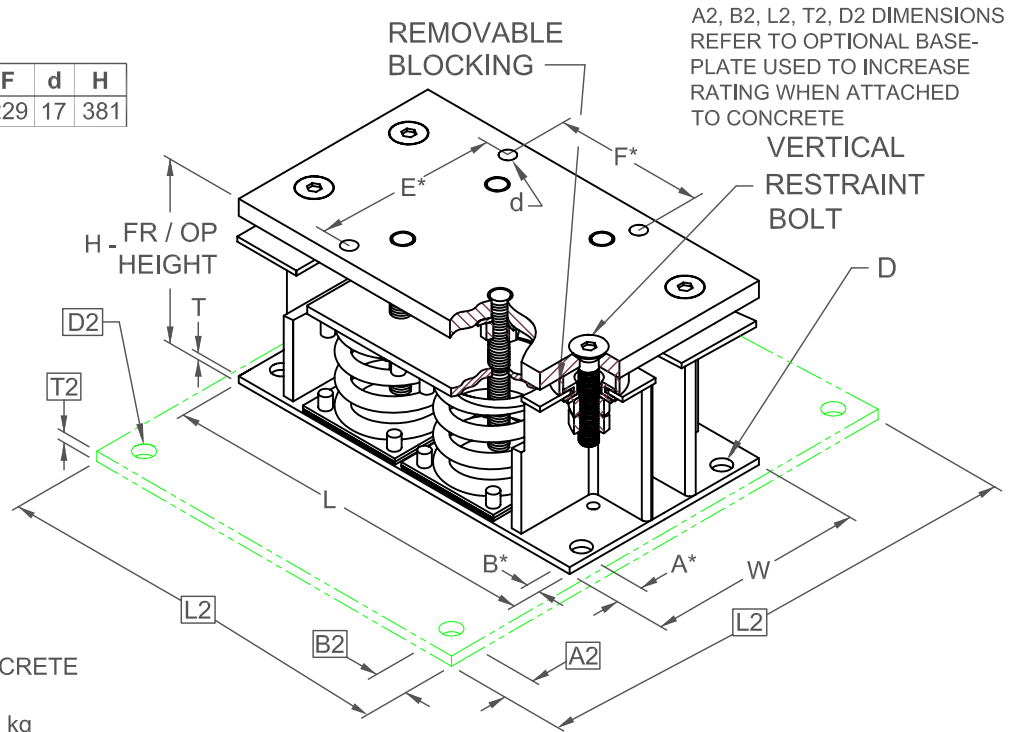
FLS 102 mm DEFLECTION ISOLATOR

S-I UNITS (mm AND kg)

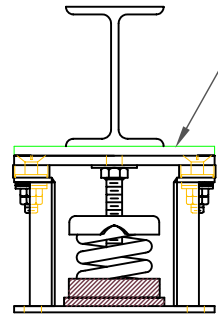
TYPE	L	W	T	A	B	D	E	F	d	H
4-11000/23200	686	432	19	25	25	21	229	229	17	381

STANDARD RATINGS		SPRING COIL					
TYPE	SIZE	COLOR		FREE		RATED	
		OUTER	INNER	HT.	O.D.	LOAD	DEFL.
FLS	4-11000	BEIGE	GREEN	292	203	4990	102
FLS	4-12000	BEIGE	BLACK	292	203	5443	102
FLS	4-13000	BEIGE	RED	292	203	5897	102
FLS	4-14000	BEIGE	BROWN	292	203	6350	102
FLS	4-15400	BEIGE	ORANGE	292	203	6985	102
FLS	4-16800	CHROME		292	203	7620	102
FLS	4-17800	CHROME	BLUE	292	203	8074	102
FLS	4-18800	CHROME	GREEN	292	203	8528	102
FLS	4-19800	CHROME	BLACK	292	203	8981	102
FLS	4-20800	CHROME	RED	292	203	9435	102
FLS	4-21800	CHROME	BROWN	292	203	9888	102
FLS	4-23200	CHROME	ORANGE	292	203	10523	102

4-11000/23200 REQUIRES 019 DIA. x 119 MIN. EMBED ANCHORS IN CONCRETE
 (ALLOWABLE LOADS BASED ON 21 MPa MIN CONCRETE)
 4-11000/23200 ANCHOR BOLT TORQUE - 203 N-M, PULL TEST - 1644 kg

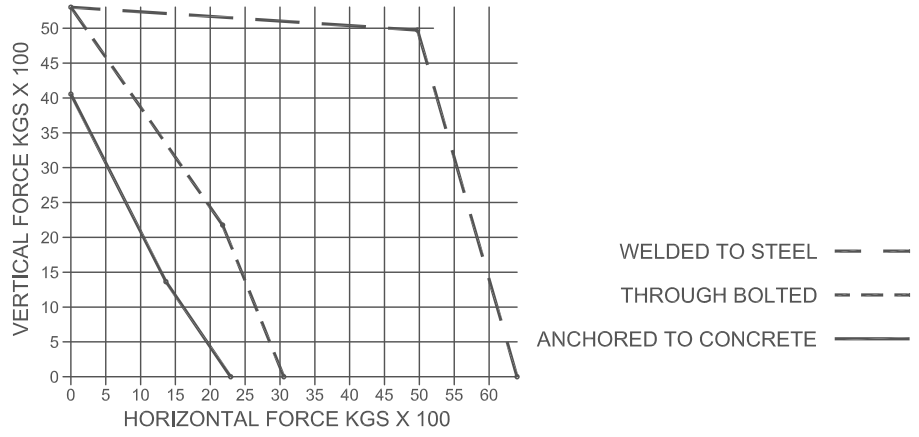


A2, B2, L2, T2, D2 DIMENSIONS REFER TO OPTIONAL BASE-PLATE USED TO INCREASE RATING WHEN ATTACHED TO CONCRETE



IF EQUIP SUPPORT STEEL IS 90° TO THE LONG ISOLATOR AXIS, AN ADD'L PLATE EQUAL IN THICKNESS TO THE TOP PLATE IS REQUIRED

*ALL MOUNTING BOLT PATTERNS SYMMETRICAL ABOUT ISOLATOR CENTER-LINE



SPECIFICATIONS:

- VERTICALLY AND Laterally RESTRAINED SPRING ISOLATOR WITH CONSTANT FREE AND OPERATING HEIGHT AND REPLACEABLE NEOPRENE SNUBBING ELEMENTS.
- MINIMUM COIL OVERLOAD OF 50%.
- MINIMUM Kx/Ky RATIO OF 1.0.
- ALL ELEMENTS SAFE AT SOLID LOADING.
- POWDER COATED COILS AND HOT DIPPED GALVANIZED BRACKET.
- HOUSINGS MAY BE USED FOR BLOCKING DURING EQUIPMENT ERECTION.

Computed horiz and vert seismic load combinations must fall within the restraint capacity envelope. Contact KNC for bolted to steel data.



KINETICS NOISE CONTROL, INC
 6300 IRELAN PL,
 DUBLIN, OH 43017 USA
 Ph: 614 889-0480, Fax: 614 889-0540
 www.kineticsnoise.com

Model:
FLS-4-11000 / 23200

By: **JMJ**
 Date: **07/09/02**
 Revised: **5/8/06 / PWM**

Drawing No:
S-01.22-44
 METRIC