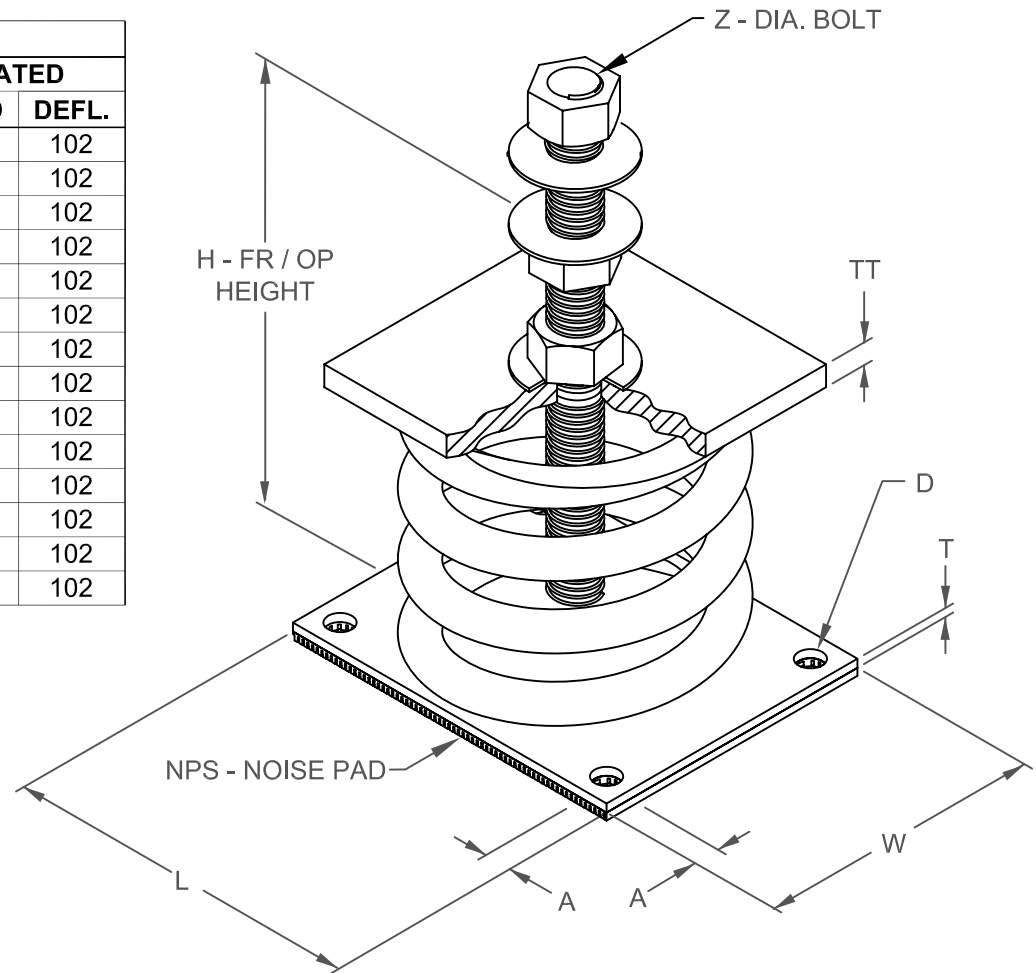


FDS 102 mm DEFLECTION ISOLATOR

S-I UNITS (mm AND kg)

TYPE	L	W	T	A	D	H	TT	Z
4-2250B/5800B	254	203	12	19	17	387	16	32

STANDARD RATINGS		SPRING COIL					
TYPE	SIZE	COLOR		FREE		RATED	
		OUTER	INNER	HT.	O.D.	LOAD	DEFL.
FDS	4-2250B	GRAY		292	203	1021	102
FDS	4-2500B	GRAY	GRAY	292	203	1134	102
FDS	4-2750B	GRAY	GRAY	292	203	1247	102
FDS	4-3000B	GRAY	GRAY	292	203	1361	102
FDS	4-3250B	GRAY	GRAY	292	203	1474	102
FDS	4-3500B	GRAY	GRAY	292	203	1588	102
FDS	4-3850B	GRAY	GRAY	292	203	1746	102
FDS	4-4200B	GRAY		292	203	1905	102
FDS	4-4450B	GRAY	GRAY	292	203	2018	102
FDS	4-4700B	GRAY	GRAY	292	203	2132	102
FDS	4-4950B	GRAY	GRAY	292	203	2245	102
FDS	4-5200B	GRAY	GRAY	292	203	2359	102
FDS	4-5450B	GRAY	GRAY	292	203	2472	102
FDS	4-5800B	GRAY	GRAY	292	203	2631	102



SPECIFICATIONS:

- LOAD PLATES ARE AFFIXED TO COIL SPRINGS
- FREE STANDING COIL SPRING ISOLATOR
- PAINTED SPRING ELEMENTS
- OTHER METALLIC COMPONENTS BRIGHT ZINC PLATED
- MINIMUM OVERLOAD OF 50%
- MINIMUM Kx/Ky RATIO OF 1.0
- ALL ELEMENTS SAFE AT SOLID LOADING.
- ALL THREADED MEMBERS ARE AMERICAN STANDARD



KINETICS NOISE CONTROL, INC
 6300 IRELAN PL,
 DUBLIN, OH 43017 USA
 Ph: 614 889-0480, Fax: 614 889-0540
 www.kineticsnoise.com

Model:
**FDS-4-
 2250B/5800B**

By: **JMJ**
 Date: **04/12/02**
 Revised: **6/19/03 / JMJ**

Drawing No:
S-01.20-42(M)