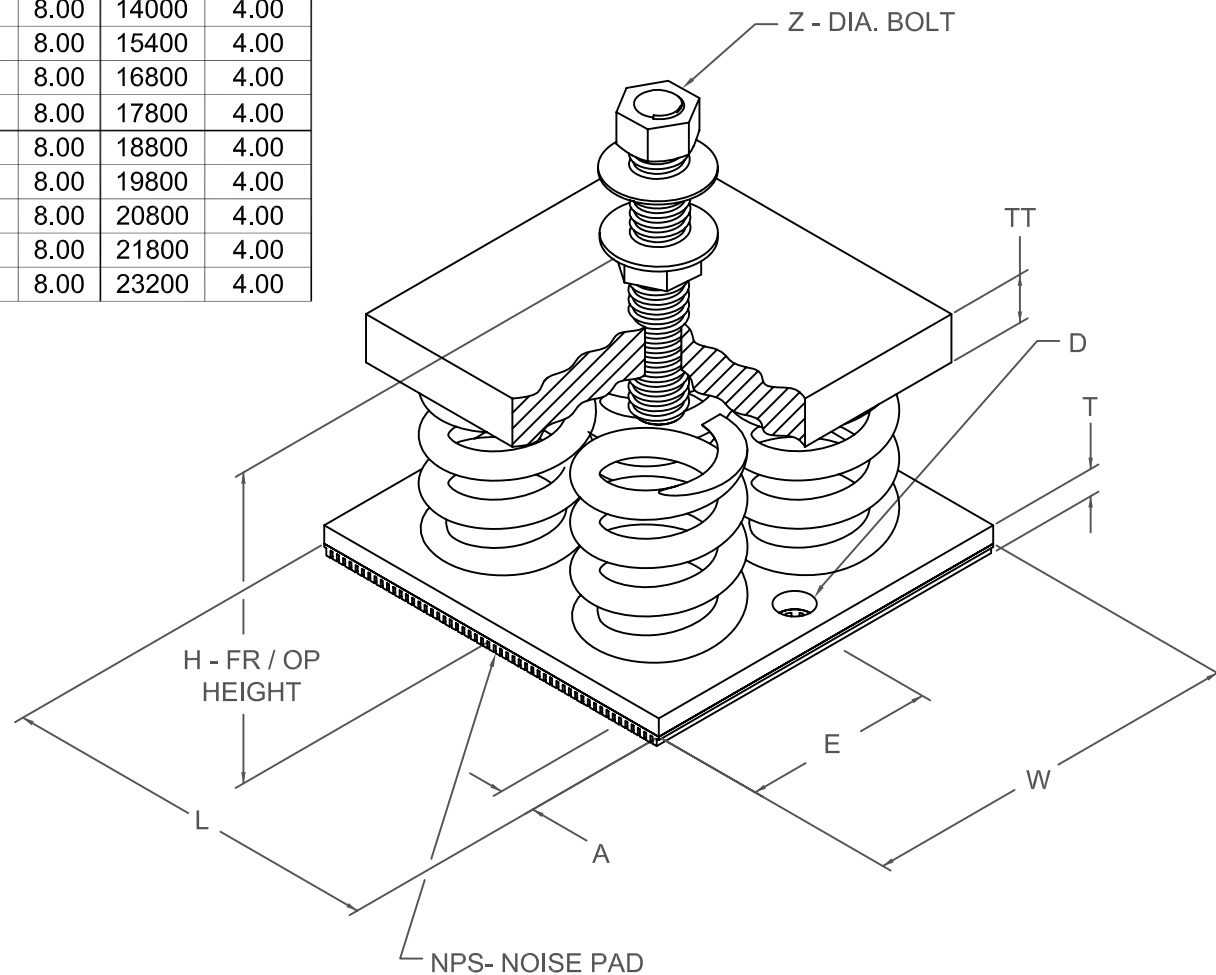


## FDS 4" DEFLECTION ISOLATOR IP UNITS (INCHES AND POUNDS)

TYPE	L	W	T	A	D	H	TT	Z
4-11000B/17800B	18.00	16.00	0.72	0.88	0.81	16.75	1.38	1.50
4-18800B/23200B	18.00	16.00	0.72	0.88	0.81	17.25	1.50	1.75

STANDARD RATINGS		SPRING COIL					
TYPE	SIZE	COLOR		FREE		RATED	
		OUTER	INNER	HT.	O.D.	LOAD	DEFL.
FDS	4-11000B	GRAY	GRAY	11.50	8.00	11000	4.00
FDS	4-12000B	GRAY	GRAY	11.50	8.00	12000	4.00
FDS	4-13000B	GRAY	GRAY	11.50	8.00	13000	4.00
FDS	4-14000B	GRAY	GRAY	11.50	8.00	14000	4.00
FDS	4-15400B	GRAY	GRAY	11.50	8.00	15400	4.00
FDS	4-16800B	GRAY		11.50	8.00	16800	4.00
FDS	4-17800B	GRAY	GRAY	11.50	8.00	17800	4.00
FDS	4-18800B	GRAY	GRAY	11.50	8.00	18800	4.00
FDS	4-19800B	GRAY	GRAY	11.50	8.00	19800	4.00
FDS	4-20800B	GRAY	GRAY	11.50	8.00	20800	4.00
FDS	4-21800B	GRAY	GRAY	11.50	8.00	21800	4.00
FDS	4-23200B	GRAY	GRAY	11.50	8.00	23200	4.00



### SPECIFICATIONS:

- LOAD PLATES ARE AFFIXED TO COIL SPRING
- FREE STANDING COIL SPRING ISOLATOR
- PAINTED SPRING ELEMENT
- OTHER METALLIC COMPONENTS BRIGHT ZINC PLATED
- MINIMUM OVERLOAD OF 50%
- MINIMUM Kx/Ky RATIO OF 1.0
- ALL ELEMENTS SAFE AT SOLID LOADING
- ALL THREADED MEMBERS ARE AMERICAN STANDARD



KINETICS NOISE CONTROL, INC  
6300 IRELAN PL,  
DUBLIN, OH 43017 USA  
Ph: 614 889-0480, Fax: 614 889-0540  
www.kineticsnoise.com

Model:  
**FDS-4-  
11000B/23200B**

By: **JMJ**  
Date: **04/19/02**  
Revised: **01/09/94 / JMJ**

Drawing No:  
**S-01.20-44**