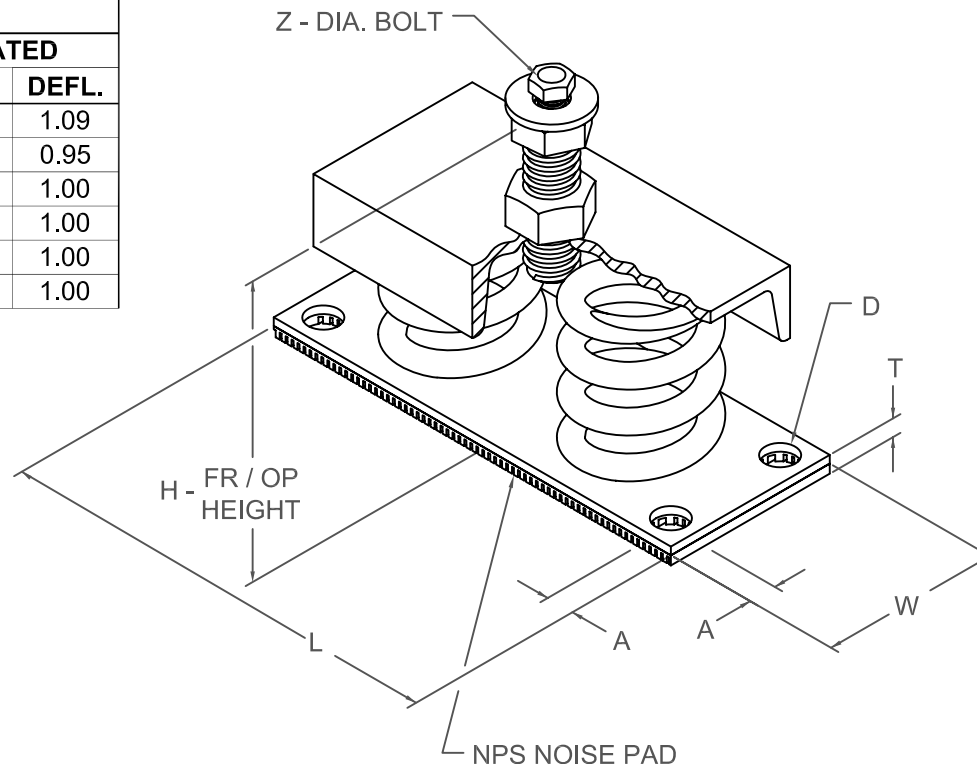


**FDS 1" DEFLECTION ISOLATOR
IP UNITS (INCHES AND POUNDS)**

TYPE	L	W	T	A	D	H	Z
1-2500B/7000B	10.00	4.00	0.41	0.63	0.69	6.25	0.50

STANDARD RATINGS		SPRING COIL					
TYPE	SIZE	COLOR		FREE		RATED	
		OUTER	INNER	HT.	O.D.	LOAD	DEFL.
FDS	1-2500B	GRAY	GRAY	4.20	3.00	2500	1.09
FDS	1-3400B	GRAY	GRAY	4.20	3.00	3400	0.95
FDS	1-4400B	GRAY	GRAY	4.20	3.00	4400	1.00
FDS	1-4930B	GRAY	GRAY	4.20	3.00	4930	1.00
FDS	1-5730B	GRAY	GRAY	4.20	3.00	5730	1.00
FDS	1-7000B	GRAY	GRAY	4.20	3.00	7000	1.00



SPECIFICATIONS:

- LOAD PLATES ARE WELDED TO COIL SPRINGS
- FREE STANDING COIL SPRING ISOLATOR
- PAINTED SPRING ELEMENTS
- OTHER METALLIC COMPONENTS BRIGHT ZINC PLATED
- MINIMUM OVERLOAD OF 50%
- MINIMUM Kx/Ky RATIO OF 1.0
- ALL ELEMENTS SAFE AT SOLID LOADING
- ALL THREADED MEMBERS ARE AMERICAN STANDARD



KINETICS NOISE CONTROL, INC
6300 IRELAN PL,
DUBLIN, OH 43017 USA
Ph: 614 889-0480, Fax: 614 889-0540
www.kineticsnoise.com

Model:
**FDS-1-
2500B/7000B**

By: **JMJ**
Date: **04/09/02**
Revised: **6/19/03 / JMJ**

Drawing No:
S-01.20-13