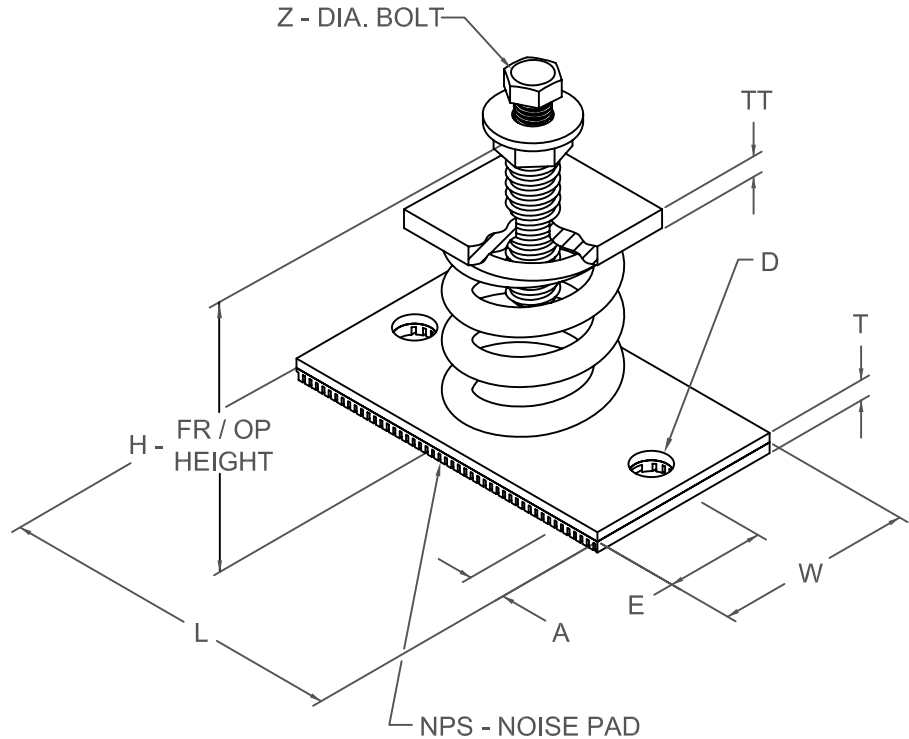


FDS 1" DEFLECTION ISOLATOR IP UNITS (INCHES AND POUNDS)

TYPE	L	W	T	A	E	D	H	TT	Z
1-120B/805B	4.50	2.50	0.41	0.50	1.25	0.56	4.25	0.10	0.38
1-250B/3500B	7.00	4.00	0.41	0.75	2.00	0.69	5.63	0.38	0.38

STANDARD RATINGS		SPRING COIL					
TYPE	SIZE	COLOR		FREE		RATED	
		OUTER	INNER	HT.	O.D.	LOAD	DEFL.
FDS	1-120B	GRAY		3.19	1.75	120	1.18
FDS	1-220B	GRAY		3.19	1.75	220	1.07
FDS	1-370B	GRAY		3.19	1.75	370	0.96
FDS	1-500B	GRAY		3.19	1.75	500	1.00
FDS	1-600B	GRAY		3.19	1.75	600	1.00
FDS	1-700B	GRAY	GRAY	3.19	1.75	700	1.00
FDS	1-805B	GRAY	GRAY	3.19	1.75	805	1.01
FDS	1-250B	GRAY		4.20	3.00	250	1.79
FDS	1-450B	GRAY		4.20	3.00	450	1.54
FDS	1-625B	GRAY		4.20	3.00	625	1.44
FDS	1-800B	GRAY		4.20	3.00	800	1.31
FDS	1-1000B	GRAY		4.20	3.00	1000	1.15
FDS	1-1250B	GRAY		4.20	3.00	1250	1.09
FDS	1-1700B	GRAY		4.20	3.00	1700	0.95
FDS	1-2200B	GRAY	GRAY	4.20	3.00	2200	1.00
FDS	1-2465B	GRAY		4.20	3.00	2465	1.00
FDS	1-2865B	GRAY	GRAY	4.20	3.00	2865	1.00
FDS	1-3500B	GRAY	GRAY	4.20	3.00	3500	1.00



SPECIFICATIONS:

- LOAD PLATES ARE WELDED TO COIL SPRING
- FREE STANDING COIL SPRING ISOLATOR
- PAINTED SPRING ELEMENT
- OTHER METALLIC COMPONENTS BRIGHT ZINC PLATED
- MINIMUM OVERLOAD OF 50%
- MINIMUM Kx/Ky RATIO OF 1.0
- ALL ELEMENTS SAFE AT SOLID LOADING
- ALL THREADED MEMBERS ARE AMERICAN STANDARD



KINETICS NOISE CONTROL, INC
6300 IRELAN PL,
DUBLIN, OH 43017 USA
Ph: 614 889-0480, Fax: 614 889-0540
www.kineticsnoise.com

Model:
**FDS-1-
120B/3500B**

By: **JMJ**
Date: **04/11/02**
Revised: **6/19/03 / JMJ**

Drawing No:
S-01.20-12