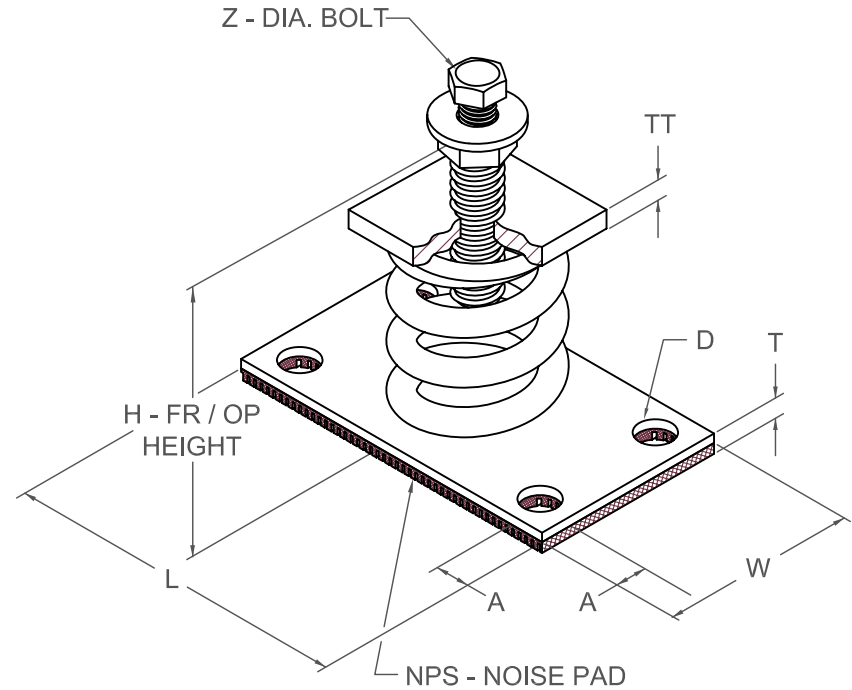


FDS 2" DEFLECTION ISOLATOR
IP UNITS (INCHES AND POUNDS)

TYPE	L	W	T	A	E	D	H	TT	Z
2-100B/1975B	7.00	4.00	0.41	0.75	2.00	0.69	7.50	0.38	0.38

STANDARD RATINGS		SPRING COIL					
TYPE	SIZE	COLOR		FREE		RATED	
		OUTER	INNER	HT.	O.D.	LOAD	DEFL.
FDS	2-100B	GRAY		6.09	3.50	100	2.00
FDS	2-135B	GRAY		6.09	3.50	135	2.00
FDS	2-185B	GRAY		6.09	3.50	185	2.00
FDS	2-225B	GRAY	GRAY	6.09	3.50	225	2.00
FDS	2-250B	GRAY		6.09	3.50	250	2.00
FDS	2-375B	GRAY	GRAY	6.09	3.50	375	2.00
FDS	2-500B	GRAY		6.09	3.50	500	2.00
FDS	2-625B	GRAY	GRAY	6.09	3.50	625	2.00
FDS	2-750B	GRAY		6.09	3.50	750	2.00
FDS	2-875B	GRAY	GRAY	6.09	3.50	875	2.00
FDS	2-995B	GRAY		6.09	3.50	995	2.00
FDS	2-1120B	GRAY	GRAY	6.09	3.50	1120	2.00
FDS	2-1400B	GRAY	GRAY	6.09	3.50	1400	2.01
FDS	2-1600B	GRAY		6.09	3.50	1600	2.00
FDS	2-1975B	GRAY	GRAY	6.09	3.50	1975	1.98



SPECIFICATIONS:

- LOAD PLATES ARE AFFIXED TO COIL SPRING
- FREE STANDING COIL SPRING ISOLATOR
- PAINTED SPRING ELEMENT
- OTHER METALLIC COMPONENTS BRIGHT ZINC PLATED
- MINIMUM OVERLOAD OF 50%
- MINIMUM Kx/Ky RATIO OF 1.0
- ALL ELEMENTS SAFE AT SOLID LOADING
- ALL THREADED MEMBERS ARE AMERICAN STANDARD



KINETICS NOISE CONTROL, INC
 6300 IRELAN PL.,
 DUBLIN, OH 43017 USA
 Ph: 614 889-0480, Fax: 614 889-0540
 www.kineticsnoise.com

Model:
FDS-2-100B/1975B

By: **JMJ**
 Date: **04/16/02**
 Revised: **07/21/05 / BB**

Drawing No:
S-01.20-22